

CNCmakers Limited

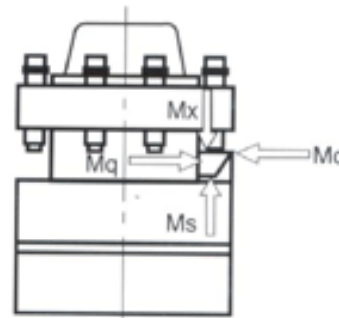
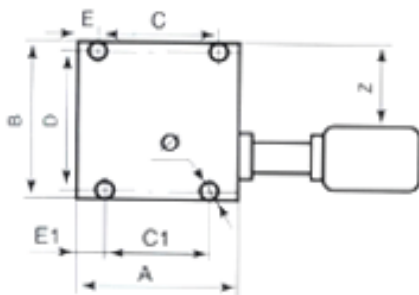
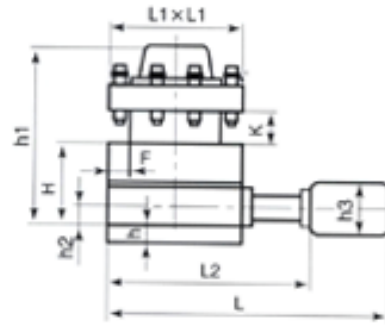
Address: No.168, Xiadu Road, Haizhu District, Guangzhou, China 510300

Email: info@CNCmakers.com Website: www.CNCmakers.com Tel: +86-138-24444158 Fax: +86-20-84185336

LDB4 4 STATION TOOL POST

LDB4 series Tool post (Turret)

LDB4 series vertical electrical tool post adopts the working principle of worm wheel and worm driver, positioned by three precision coupling teeth, clamped by screw, has advantage of good sealing performance. It has long service life because of utilizing dependable contactless hall components. The series tool post is an approved product which most people use priority.



[Dimensions]

Model	H	h	A	B	C	C1	D	E	E1	L	L1	L2	h1	h2	h3	F	Ø	Z	K
LDB4-0625	51		133	136	100	90	120	15	15	330	130	220	152	17.5	90	15	9	35	29
LDB4-6125	57		133	133	100	90	120	15	15	330	130	220	162	17.5	90	15	9	35	29
LDB4-6132	70		161	171	126	126	146	12	12	356	152	238	185	17.5	90	25	13	50	40
LDB4-6140	81		192	192	152	152	168	20	20	386	170	268	203	20	90	25	13	85	40
LDB4-6150	81	40	192	192	152	152	168	20	20	386	170	268	203	20	90	25	13	85	40
LDB4-6150T	98	23	192	192	152	152	168	20	20	456	192	266	222	20	120	25	13	80	40
LDB4-6163	125	20	200	200	150	130	177	25	35	500	200	310	275	36	120	32	13	100	51

[Specification]

Model	Tool change time (s)			Max. Torque (Nm)			Repeat (mm)	Power (w)	Speed (rpm)	Weight (Kg)
	90°	180°	270°	Mq	Mx	Ms				
LDB4-0625	2.1	2.6	3.1	300	700	250	<0.005	90	1400	16
LDB4-6125	2.1	2.6	3.1	300	700	250	<0.005	90	1400	17
LDB4-6132	2.4	3.1	3.7	500	1100	350	<0.005	120	1400	25
LDB4-6140	2.5	3.2	3.9	600	1400	450	<0.005	120	1400	35
LDB4-6150	2.5	3.2	3.9	600	1400	450	<0.005	120	1400	40
LDB4-6150T	2.5	3.2	3.9	900	2000	750	<0.005	180	1400	50
LDB4-6163	2.6	3.3	4.0	1000	2500	800	<0.005	180	1400	60

[User Guide](#)

[Diagram](#)

[Production Line](#)